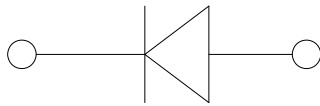
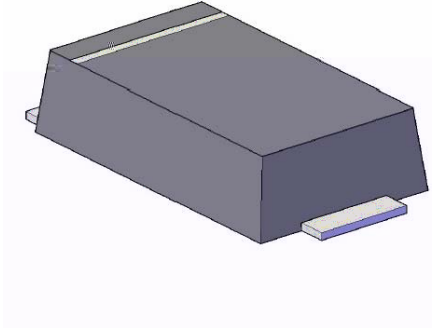


Surface Mount Fast Recovery Rectifier

* » **r fast recovery fo**
High forward surge capa V ility
Meets MSL level 1 ž per J-STD- \$ 2 \$ ž LF maximum p
of 2 * \$ š C



Typical Applications

For use in fast switching rectification of power supply, inverters, converters, and freewheeling diodes for consumer and telecommunication.

Mechanical Date

Package: SOD-123HE

Molding compound meets UL 94 V-0 flammability rating, RoHS-compliant, halogen-free

Terminals: Tin plated leads, solderable per J-STD-002 and JESD22-B102

Polarity: Cathode line denotes the cathode end

Maximum Ratings ($T_a=25$ Unless otherwise specified)

PARAMETER	SYMBOL	UNIT	F2AE	F2BE	F2DE	F2GE	F2JE	F2KE	F2ME
Device marking code			F2AE	F2BE	F2DE	F2GE	F2JE	F2KE	F2ME

Average rectified output current @60Hz sine wave, Resistance load, T_a (FIG.1)	I_O	A	2.0						
Forward Surge Current (Non-repetitive) @60Hz Half-sine wave, 1 cycle, $T_j=25$	I_{FSM}	A	50						
Forward Surge Current (Non-repetitive) @1ms, square wave, 1 cycle, $T_j=25$			100						
Current squared time @1ms t_{81}	T_{stg}		-55 ~ +150						

Junction temperature	T_j		-55 ~ +150						
----------------------	-------	--	------------	--	--	--	--	--	--



F2AE THRU F2ME

Electrical Characteristics $T_a=25$ Unless otherwise specified

PARAMETER	SYMBOL	UNIT	TEST CONDITIONS	F2AE	F2BE	F2DE	F2GE	F2JE	F2KE	F2ME
Maximum instantaneous forward voltage drop per diode	V _F	V	I _{FM} =2.0A	1.3						
Maximum reverse recovery time	t _r	ns	I _F =0.5A, I _R =1.0A, I _r =0.25A	150				250	500	
Maximum DC reverse current at rated DC blocking voltage per diode	I _R	μA	T _j =25	5						
			T _j =125	100						

Thermal Characteristics $T_a=25$ Unless otherwise specified

PARAMETER	SYMBOL	UNIT	F2AE	F2BE	F2DE	F2GE	F2JE	F2KE	F2ME
Typical Thermal resistance	R _{J-A} ⁽¹⁾	/W	90						

F2AE THRU F2ME

F2AE THRU F2ME

Disclaimer

The information presented in this document is for reference only. Yangzhou Yangjie Electronic Technology Co., Ltd. reserves the right to make changes without notice for the specification of the products displayed herein to improve reliability, function or design or otherwise.

The product listed herein is designed to be used with ordinary electronic equipment or devices, and not designed to be used with equipment or devices which require high level of reliability and the malfunction of which would directly endanger human life (such as medical instruments, transportation equipment, aerospace machinery, nuclear-reactor controllers, fuel controllers and other safety devices), Yangjie or anyone on its behalf, assumes no responsibility or liability for any damages resulting from such improper use of sale.

This publication supersedes & replaces all information previously supplied. For additional information, please visit our website [http:// www.21yangjie.com](http://www.21yangjie.com) , or consult your nearest Yangjie's sales office for further assistance.